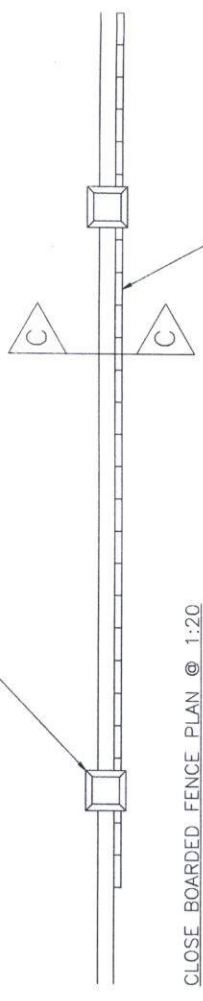
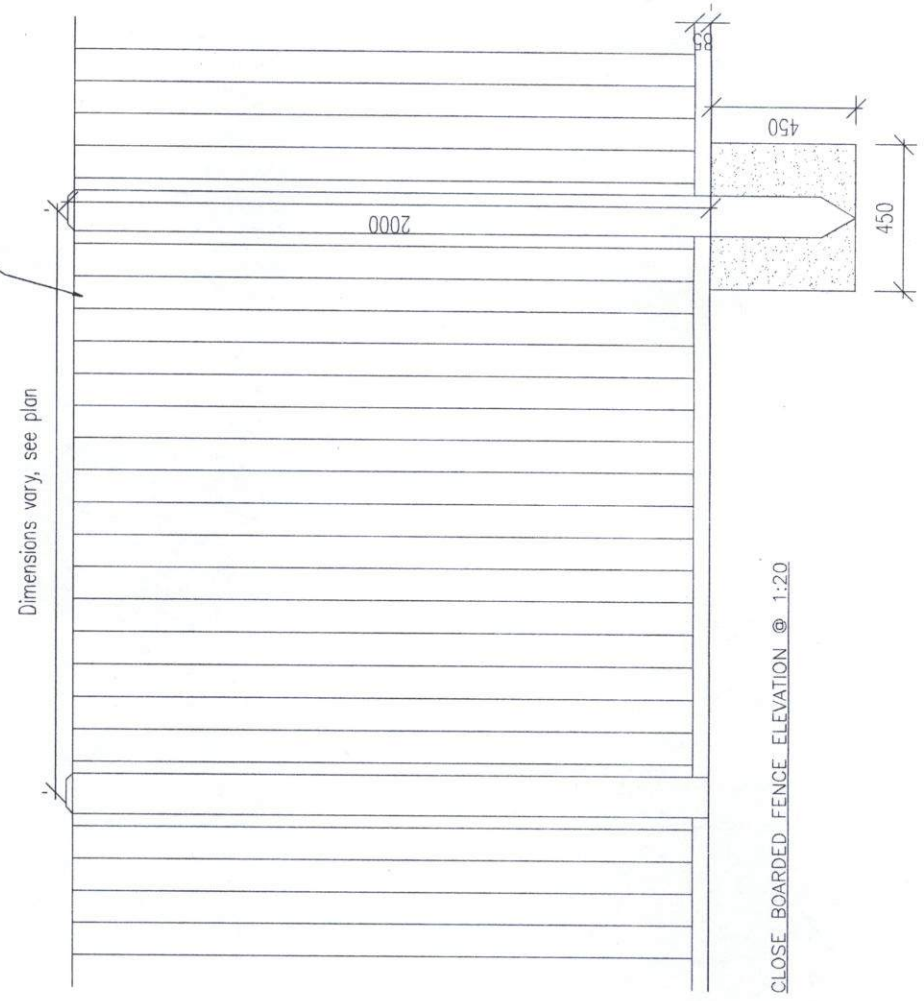


125x125mm treated s/w posts at 1800mm centres set 450mm below ground as shown on detail below, to be fixed with dry mix post fix or ready mix concrete, to have 20mm chamfered edge tops.



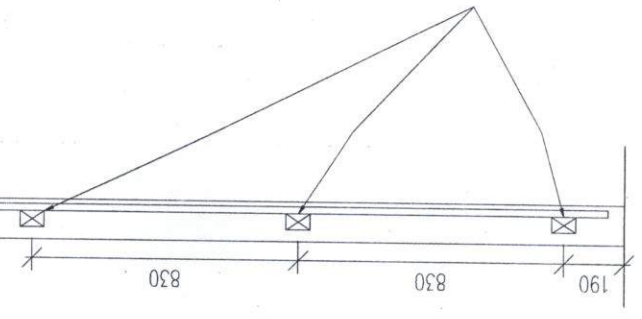
CLOSE BOARDED FENCE PLAN @ 1:20

22mm thick treated s/w hit & miss boarding fixed to face of top, bottom and mid rails.



CLOSE BOARDED FENCE ELEVATION @ 1:20

FLOOR FINISHES LAYOUT @ 1:100



SECTION C-C @ 1:20

CONTRACTOR TO NOTE:

- new close boarded gates where indicated on plan to be constructed similarly to close boarded fence.
- new close boarded gates are to be ledged and braced with 35x125mm external grade softwood timbers.
- new close boarded gates are to receive new ironmongery as specified.
- close boarded fences and gates to be treated and painted Johnstones one coat shed and fence in dark oak
- 50x75mm treated s/w top, mid and bottom rails tenon jointed and glued into posts.

Revised 17/6/15

AMBER TRADING
14 MILL DOD ROAD
TRING, WILTS
SN3 1JH

DATE: 17/06/15
PROJECT: FENCE DETAIL
DRAWN BY: J. J. J.

id
111 Parkway Square South
Wokingham
Hants RG40 3EJ
UK
T: 01256 430 361
F: 01256 433 864
E: info@reedings.co.uk
www.reedings.co.uk